

Simplified Manual

for

BJC-2100/2100SP

Part number: QY8-1372-000

- 1 Product / Option / Consumable list**
 - 2 Specifications**
 - 3 Error code list**
 - 4 Service mode**
(Test print, EEPROM reset....)
 - 5 External view / Parts list**
 - 6 H/W troubleshooting flowchart**
 - 7 Special Service Information**
- Attachment Service Test Print**

Rev 01 2000.3/22
(QE-12E-0231)

1. Product / Option / Consumable lists

1.1 Products

Product Name	Product Code	Sales territory	Remarks
Canon Bubble Jet Printer BJC-2100	Q30-3330-720	CCSI	
	Q30-3330-721	CANADA	
	Q30-3330-722	LATIN(LV)	
	Q30-3330-723	LATIN(HV)	
	Q30-3330-724	ARG	
	Q30-3330-730	EUROPE	
	Q30-3330-731	GERMAN	
	Q30-3330-732	FRANCE	
	Q30-3330-780	U.K.	
Canon Bubble Jet Printer BJ F210	Q30-3331-710	JAPAN	
Canon Bubble Jet Printer BJC-2100SP	Q30-3340-740	AUSTRALIA	
	Q30-3340-733	ASIA(HV)	
	Q30-3340-734	CHN	
	Q30-3340-750	HK	
	Q30-3340-760	KRN	
	Q30-3340-723	TWN	

1.2 Options

Product Name	Product Code	Remarks
Canon BJ Cartridge Container SB-21	Q70-3130	
Canon Color Image Scanner Cartridge IS-22	Q70-3530	
Canon BJ Scanning Holder SH-101 A4/LTR	Q70-3640	Scanning Holder for IS-22 (A4)
Canon BJ Scanning Holder SH-101 A3/LDR	Q70-3650	Scanning Holder for IS-22 (A3)

1.3 Consumables

Product Name	Product Code	Remarks
Canon BJ Cartridge BC-20	F45-0561	BJ Cartridge (BK)
Canon Color BJ Cartridge BC-21e	F45-1301	BJ Cartridge (Regular Color)
Canon Color BJ Cartridge BC-22e Photo	F45-1311	BJ Cartridge (Photo Color)
Canon Color BJ Cartridge BC-29F	F45-1101	BJ Cartridge (Fluorescent Color)
Canon Ink Cartridge BCI-21 Black	F47-0731	Ink tank for BC-21e (BK)
Canon Ink Cartridge BCI-21 Color	F47-0741	Ink Tank for BC-21e (Color)

2. Specifications

2.1 Specifications (Note) Difference from the based BJC-2000/2000SP is written in **RED**

		DeskTop serial color bubble jet printer
Paper feeding method		Auto Sheed Feeding
Resolution		720 dpi X 360 dpi
Printing Speed		
HQ	Color	1.5ppm (Color throughput pattern)
	Mono.	4ppm (Monochrome throughput pattern)
HS	Color	2ppm (Color throughput pattern)
	Mono.	5ppm (Monochrome throughput pattern)
Printing Direction		Switching unidirectional (Printing direction automatically changes according to the print data/ print mode/ installed cartridge type.)
Print width		203.2mm (8inch)
Interface		IEEE1284 compatible 8-bit parallel / USB
Stacking Capacity of sheet feeder		
Plain paper	LGL size	Max. 5mm stack (Approx. 50 sheets with 75g/m ²)
		Max. 10 sheets
Envelopes		Max. 5 sheets
Transparencies		Max. 20 sheets
Back Print Film		Max. 10 sheets
Glossy photo paper		Max. 1 sheet
Glossy film		Max. 1 sheet
Fabric		Max. 1 sheet
T-shirt transfer		Max. 1 sheet
Banner paper		Max. 1 sheet
Scanning document		Max. 1 sheet
Detection functions		
Paper out		Available
Paper width		None
Waste ink amount		Available
Presence of BJ cartridge		Available
Distinction of cartridge		Available
Ink out		None
Distinction of scanner		Available
Mismatch BJ/scanner		Available
Noise		45 dB (Sound pressure level ISO9296)
Environmental requirement		
During operation	Temp.	5 to 35 deg. C (41 to 95 deg. F)
	Humidity	10% to 90%RH (no condensation)
Non operation	Temp.	0 to 35 deg. C (32 to 95 deg. F)
	Humidity	5% to 90%RH (no condensation)
Power supply		
Input voltage/Frequency		AC100V/120V 50/60Hz; (LV) Japan,USA,Canada
		AC220/240V 50Hz (HV) Europe,Asia
Power consumption		18W
Stand-by status		2W
External dimension		
W/O paper tray/support		370(W) X 191(D) X 164(H)
W paper tray/support		370(W) X 461(D) X 241(H)
Weight		2.4kg (W/O BJ cartridge and option)
Applicable safety standards		
Printer		FCC,IC,CE Mark,TWN-EMC,C-Tick,VCCI
Safety		UL,CUL,CB Report,GS,CE Mark,FIMKO,DENTORI,AS,PSB,CCIB,KRN-DENTORI

2.2 Product life

Whichever of the following comes first

-5 years

-Color printing 3000 pages

-Black printing 10000 pages

3. Error Code List

Error will be displayed on the host computer monitor.

The host computer should be set to ECP or Nibble mode and use the BJ Status Monitor on Win95.

Error Code	Error indication	Error condition
1000	The printer is out of paper.	Push the RESET button to paper feed.
1200	Front cover is opened.	Close the front cover.
1300	Paper JAM occurs.	Pull up the paper.
1400	BJ cartridge is not installed.	Install the BJ cartridge and close the front cover.
1440	Incorrect cartridge is installed.	Install the correct BJ cartridge and close the front cover.
5000	Home position error	H/W fail Replace the printer.
5100	Carriage control error	H/W fail Replace the printer.
5200	Head temperature error	H/W fail Replace the BJ cartridge.
5400	Printer temperature error	H/W fail Replace the printer.
5600	No cartridge while printing	H/W fail Replace the printer.
5B00	Waste ink full	H/W fail Replace the printer.
5C00	Purging operation error	H/W fail Replace the printer.
6100	ROM error	H/W fail Replace the printer.
6300	RAM error	H/W fail Replace the printer.
5210	Scanner cartridge error	H/W fail Replace the scanner cartridge.
6800	EEPROM error	H/W fail Replace the printer.

4. Service Mode

Function	Procedure	Remarks
Cleaning the BJ cartridge	Press and hold the RESET button for 2 seconds or more (while the AC plug is plugged in)	Cleaning time :Approx.20seconds.)
Test print	1) Nozzle pattern	Print nozzle check pattern BC-20/21e/22e/29F
	2) Service test print Control ROM Version Pages of each Cartridge Waste ink Amount Destination setting	Needs BC-20 Print sample : See *3
EEPROM Reset (Reset waste ink amount)	See *2 EEPROM reset / Destination setting	
Destination setting (Japan/SP/Others)	See *2 EEPROM reset / Destination setting	

*1 Service test print

- 1 Without the cartridge installed, connect the plug of the AC adapter to the AC outlet while holding down the RESET button.
- 2 Release the RESET button, press it down again within 5 seconds and release it.
- 3 Open the front cover and install the **BC-20** (black BJ cartridge)
- 4 **Hold down the RESET button for 2 seconds or more and release it.**
- 5 Close the front cover.
- 6 The printer starts service test printing.

*2 EEPROM reset / Destination setting

- 1 Without the cartridge installed, connect the plug of the AC adapter to the AC outlet while holding down the RESET button.
- 2 Release the RESET button, press it down again within 5 seconds and release it.
- 3 Hold down the RESET button for 2 seconds or more and release it.

-4 < EEPROM Reset >

Hold down the RESET button for 2 secs or more.

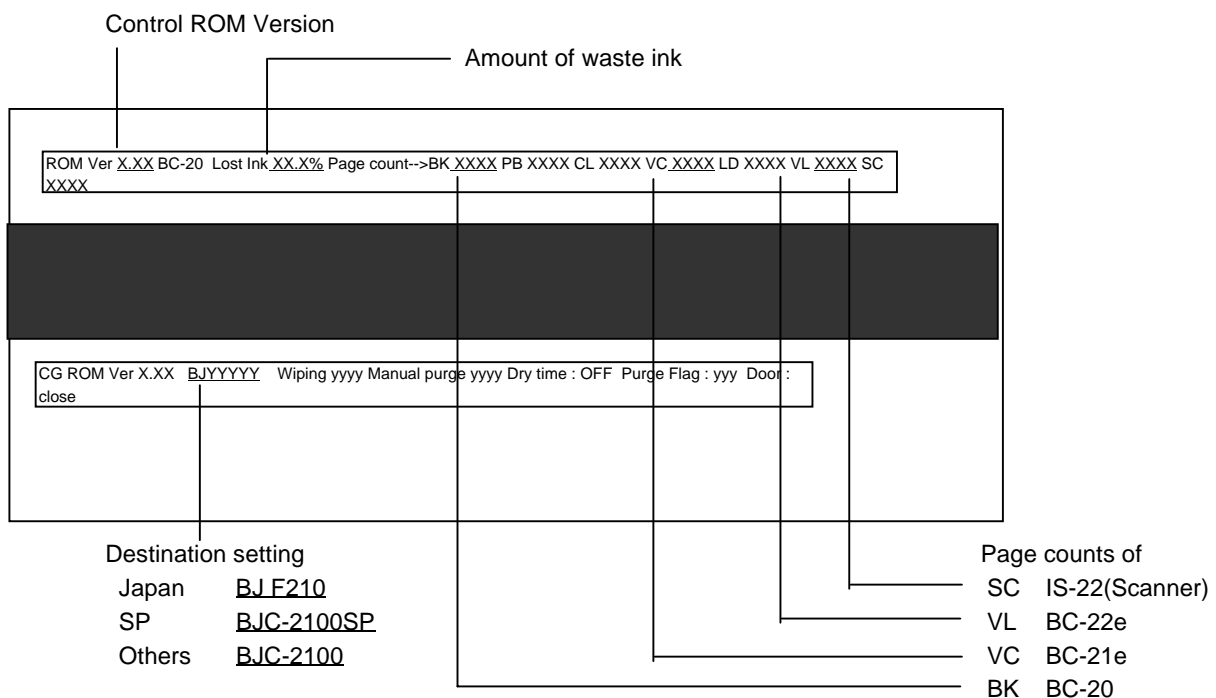
< Destination setting >

- Japan Press the RESET button once.
- Others Press the RESET button twice
- SP Press the RESET button 3 times

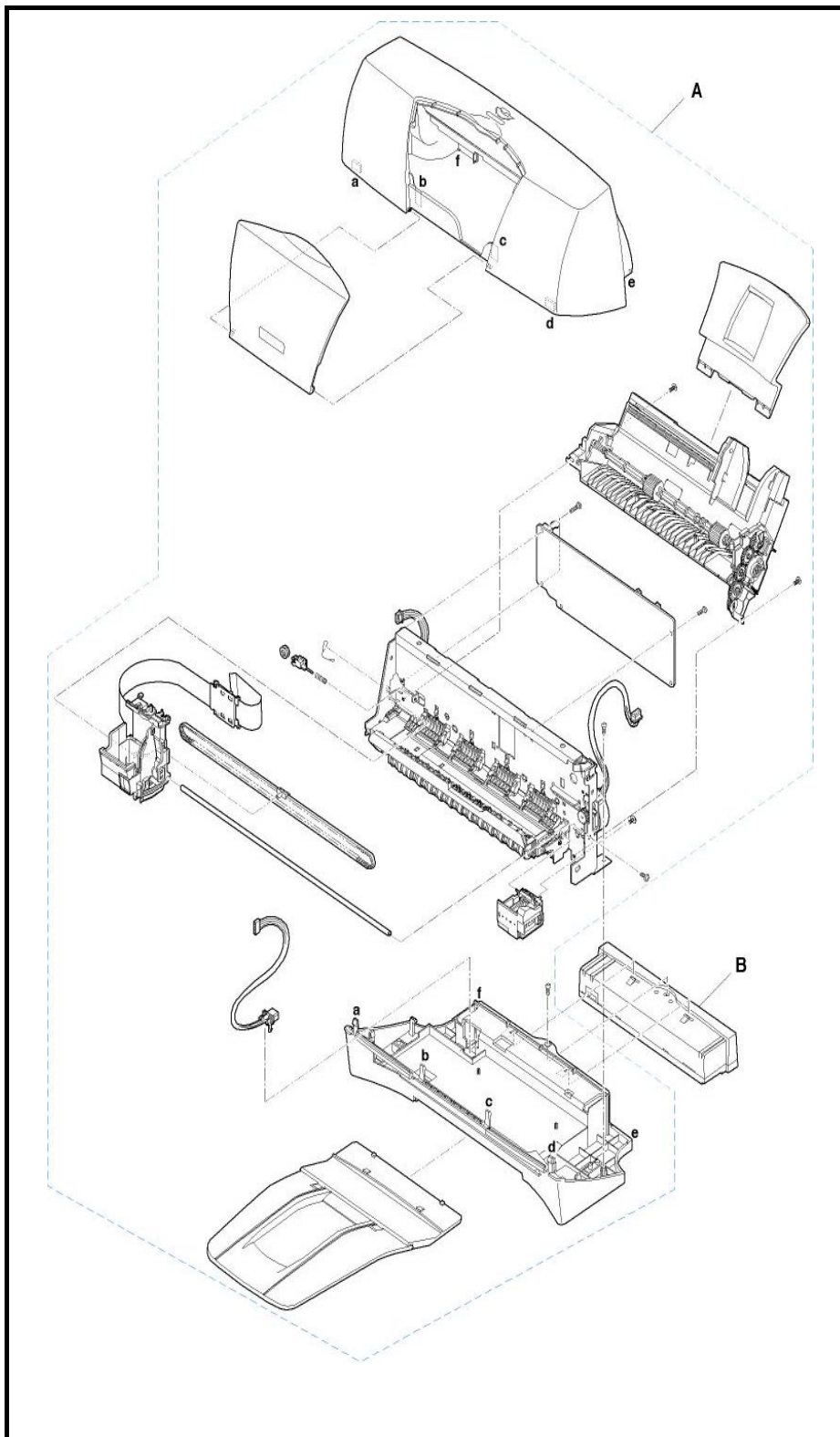
After the button is pressed, the carriage will move same time as the number of times the RESET button is pressed.

*3 Print sample of 'Service test print'

You can check the EEPROM setting by 'Service test print'.



5. External View / Parts List

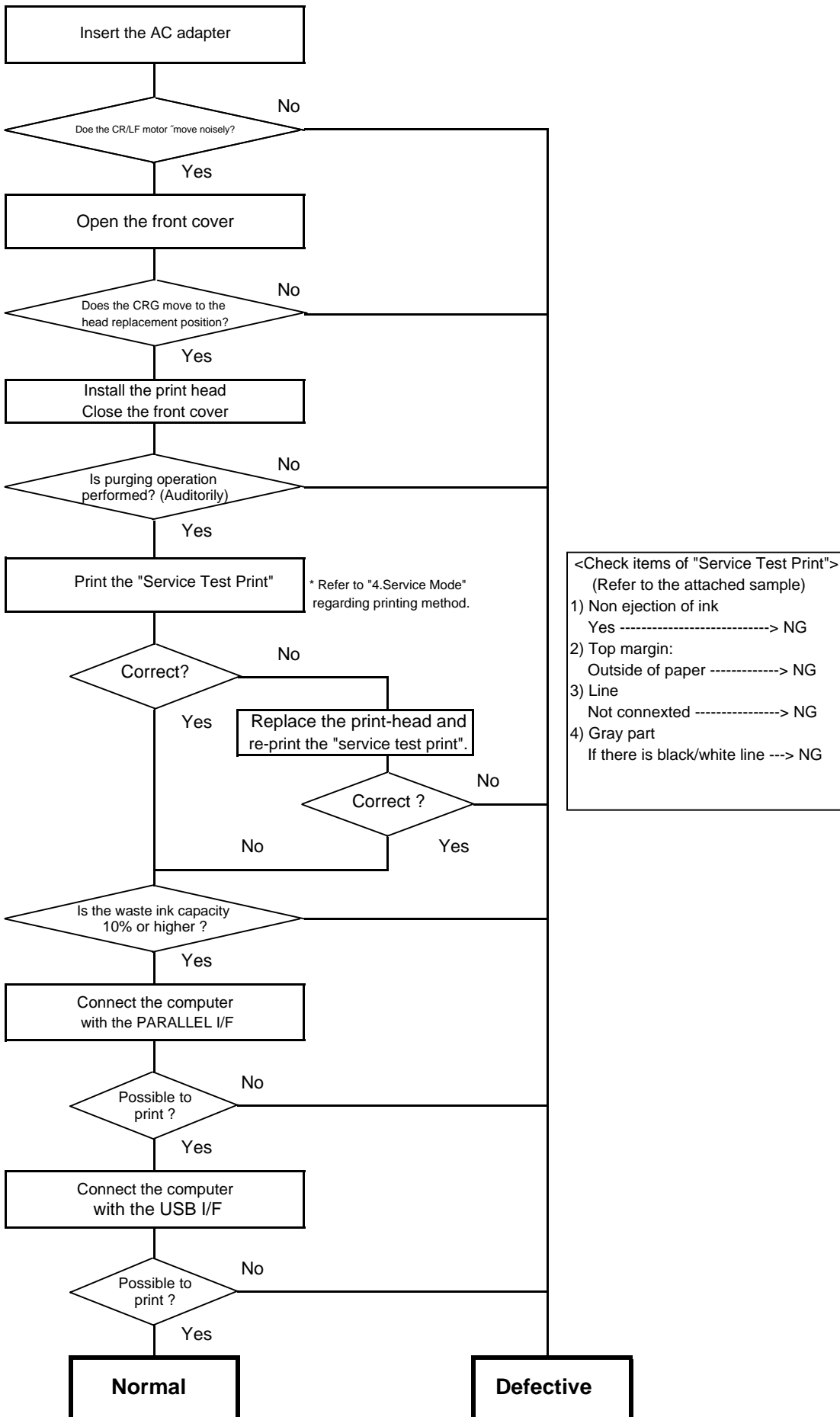


Parts List

Key	Part Number	Rank	Q'ty	Description	Remarks
A	Q10-1001-710	N	1	WHOLE UNIT, W/O CARTRIDGE CONTAINER	
B	QH3-3397		1	AC Adapter 100/120V 50/60HZ	LV(USA,CANADA,JAPAN)
	QH3-3400		1	AC Adapter 100/120V 50/60HZ	HV(Europe)
	QH3-3403		1		HV(CHN,ASIA,AUS)
	QH3-3404		1		LV(KRN)
	QH3-3406		1		HV(TWN)

6. H/W Troubleshooting Flowchart

(Confirmation of the printer when refurbishing)



Normal

Defective

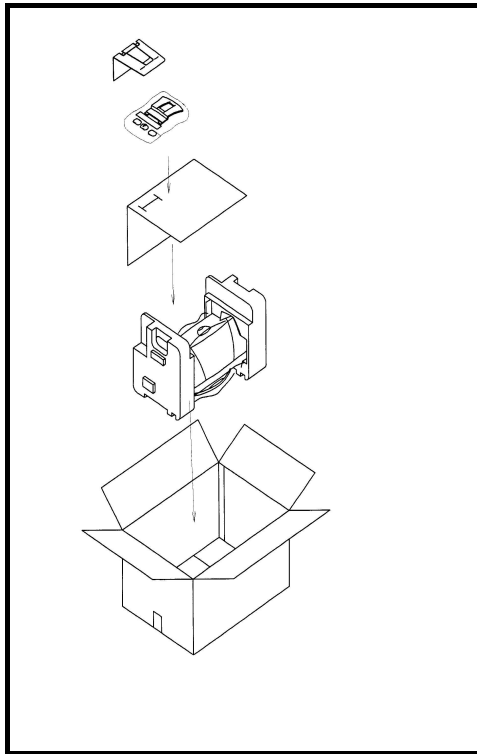
7. Service Information

7.1 Replacement using whole unit

Whole Unit (WHOLE UNIT, W/O CARTRIDGE CONTAINER : Q10-1001-710)

- 1 Remove the AC adapter from the printer returned from the user.
- 2 Install the removed AC adapter in the whole unit.
- 3 Affix the product name label. (The label has been packaged with whole unit)
- 4 Do 'destination setting'. (See "4.Service Mode" for detail)

< Composition of WHOLE UNIT, W/O CARTRIDGE CONTAINER >



Enclosure
 Printer unit (No product name label / No AC adapter)
 Paper pick-up tray
 Paper output tray
 Product name labels
 Packing material

7.2 Difference from the BJC-2000/2000SP

	BJC-2000/2000SP	BJC-2100/2100SP
I/F	Parallel I/F Only	Parallel and USB I/F
External Color	One color	Two-toned color Bottom case, Paper output tray : Gray Others : Current color
Paper output tray	Composed of 3 parts Elastic 2 flaps	Composed of 2 parts Folding No flaps
Spur	13 pcs	7 pcs
Power Supply	30W	18W
Power consumption Max		
Product Life	Whichever of the following comes first Color : 6,000 sheets Monochrome : 20,000 sheets	Whichever of the following comes first Color : 3,000 sheets Monochrome : 10,000 sheets
Auto cleaning (Auto purge)		
Turned On	Yes	No
Replace cartridge	Yes	<--
Replace Ink tank	Yes	<--
Timer(72Hr)	Yes (By internal timer)	Yes (By internal timer or time data from P.C.)
Print dot count	Yes	<--
Cover open 10min	Yes	<--
By RESET button	Yes	<--

Attached Sample (Service Test Print)

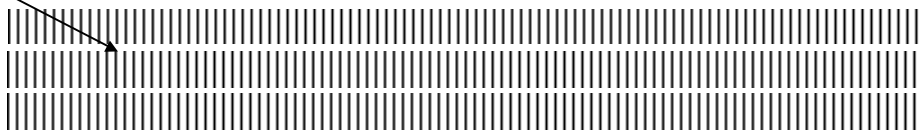
Check item 1 (Non ejection of ink) : All area of the sample as below

Check item 2 (Top margin)

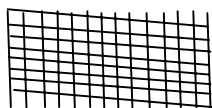
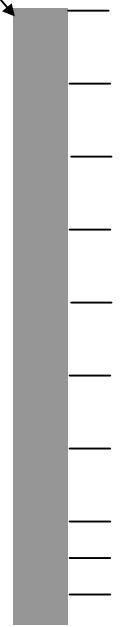
ROM Ver x.xx BC-20 LostInk xx.x% PageCount -> BK xxxxx PB xxxxx CL xxxxx VC xxxxx LD xxxxx VL xxxxx SC xxxxx

CG Ver 1.00 BJxxxx Wiping xxxxxx ManualPurge xxxxx DryTime : OFF PurgeFlag : xxx Door : CLOSE USBSerialNo. Xxxxxx

Check item 3
(Line)

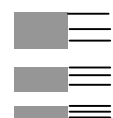
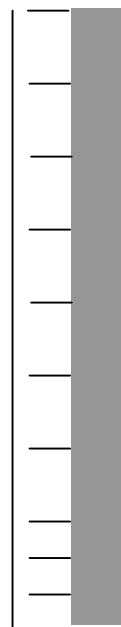


Check item 4
(Gray part)



XX XX XX XX XX XX XX XX XX XX	XX XX XX XX XX XX XX XX XX XX
XX	XX
XX XX XX XX XX XX XX XX XX XX	XX XX XX XX XX XX XX XX XX XX
XX	XX
XX XX XX XX XX XX XX XX XX XX	XX XX XX XX XX XX XX XX XX XX
XX	XX

Check item 4
(Gray part)



Paper size :